



RIO

Mixer Taps

Code: R480 F00

MITIGEUR RIO



DETAILS

Mixer type Single lever mixer tap with rotating barrel.

Texture Chromed

Material Brass

Rotating angle 360°

Strengthening plate ø50mm

Cartridge With ceramic discs

Mixer hole ø35mm

Rear encumbrance 40mm

Max worktop thickness 40mm

FEATURES

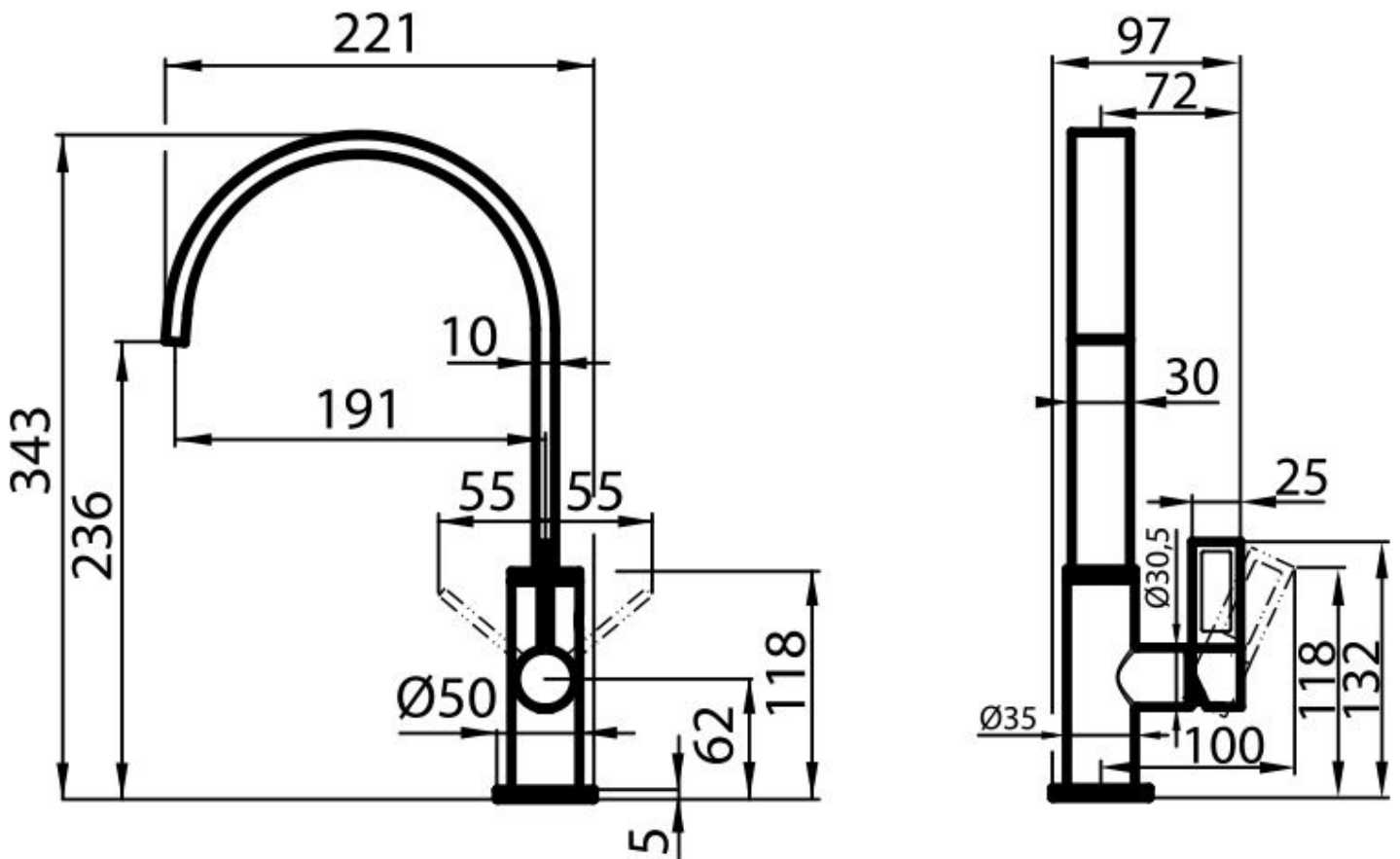
Strengthening plate

Foster's mixer taps are equipped with the strengthening plate that offers perfect stability on any sink.

Rotating angle

All the taps have a wide angle of rotation. Some models even permit a full 360° rotation.

TECHNICAL DATA



GALLERY

